

Power transformers are not pcb mounted

TO220 mounted to print groundplane heat dissipation

Low-drop regulator LM2940CT5 or L4940V5

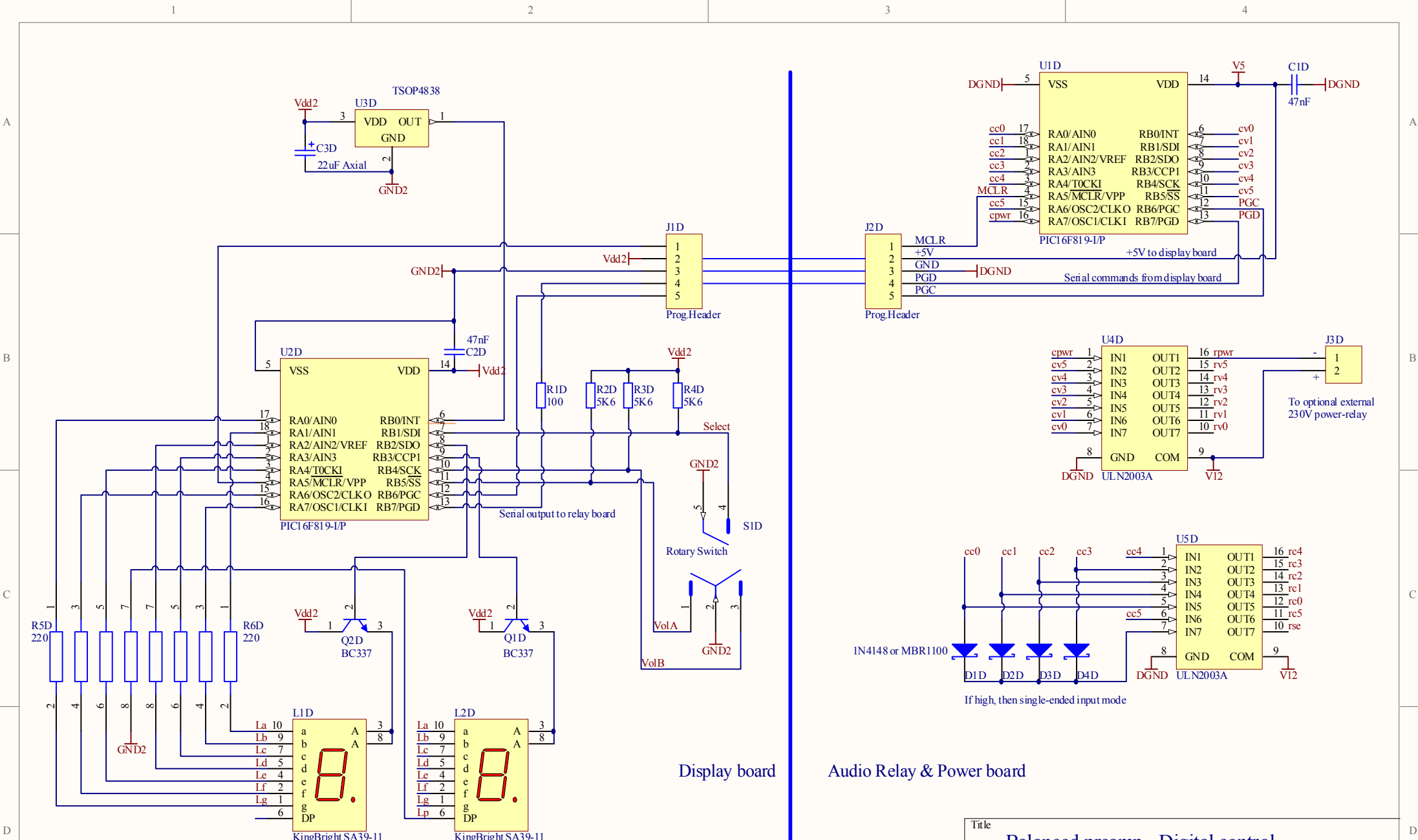
Low-ESR elco: 0.1 ohm <...< 1 ohm

The 4x 470pF are good-quality foil caps.

All resistors R*P are 0.25W, pitch 0.4"

10nF to 100nF Cs are Ceramic-Multilayer (X7R), 0.1" pitch
 1nF, 330nF and 1uF are film-Caps (MKS), pitch 0.1" and 0.2"
 100uF and 470uF are radial elcos, pitch 3.5mm and 5mm

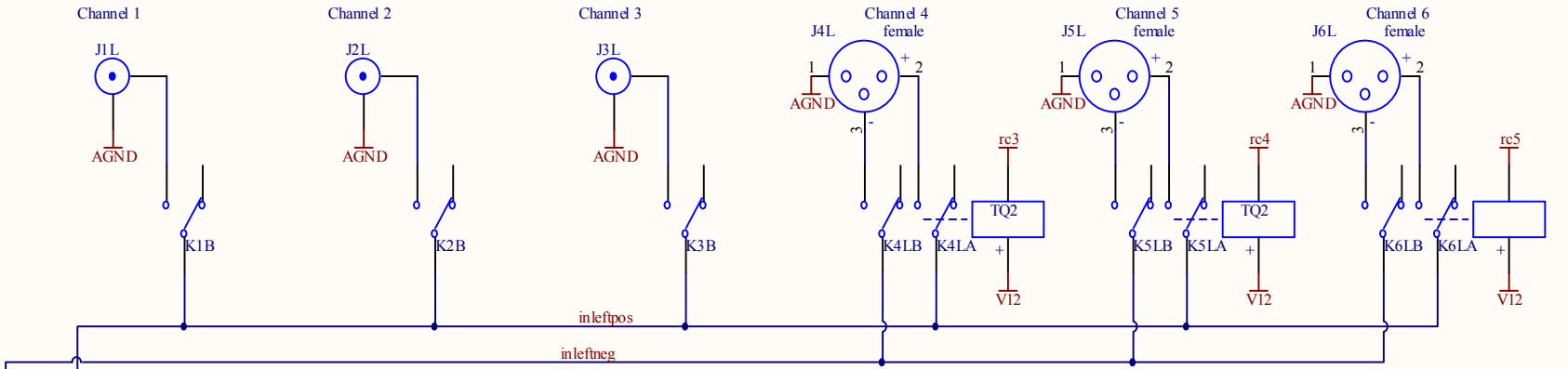
Title		
Balanced Preamp - Power supply		
Size	Number	Revision
A4	Copyright Jos van Eijndhoven	1.1
Date:	29-3-2008	Sheet of
File:	E:\DOCUMENTS\JOS\SheetPower.SCH Drawn By: jos@vaneijndhoven.net	



The 220-ohm resistors are combined by 4 in an 8-pin SIL footprint
 e.g. Bourns 4608X-102-221
 or BI Technologies L83C221

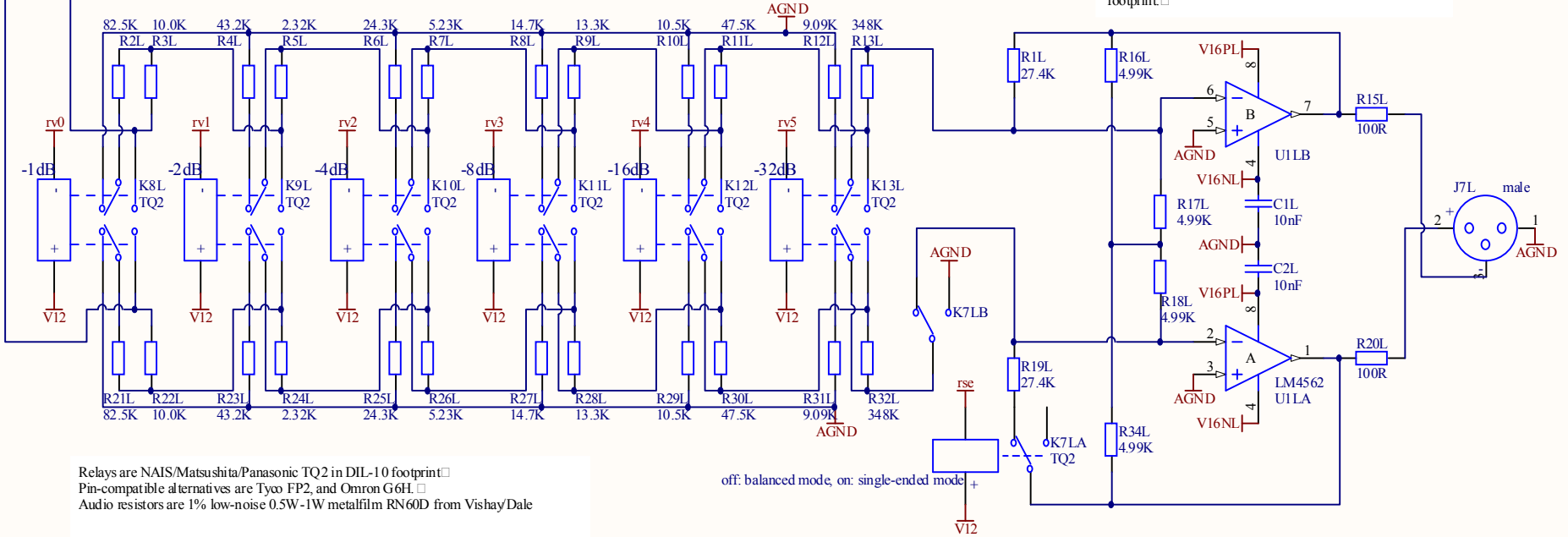
Audio Relay & Power board

Title		
Balanced preamp - Digital control		
Size	Number	Revision
A4	Copyright Jos van Eijndhoven	1.0
Date:	29-3-2008	Sheet of
File:	E:\DOCUMENTS\JOS\SheetDisplay.Sch	Drawn By: Jos van Eijndhoven



Neutrix XLR Female connectors NC3FAH or NC3FAAH □
 Neutrik XLR Male connectors NC3MAH or NC3MAAH

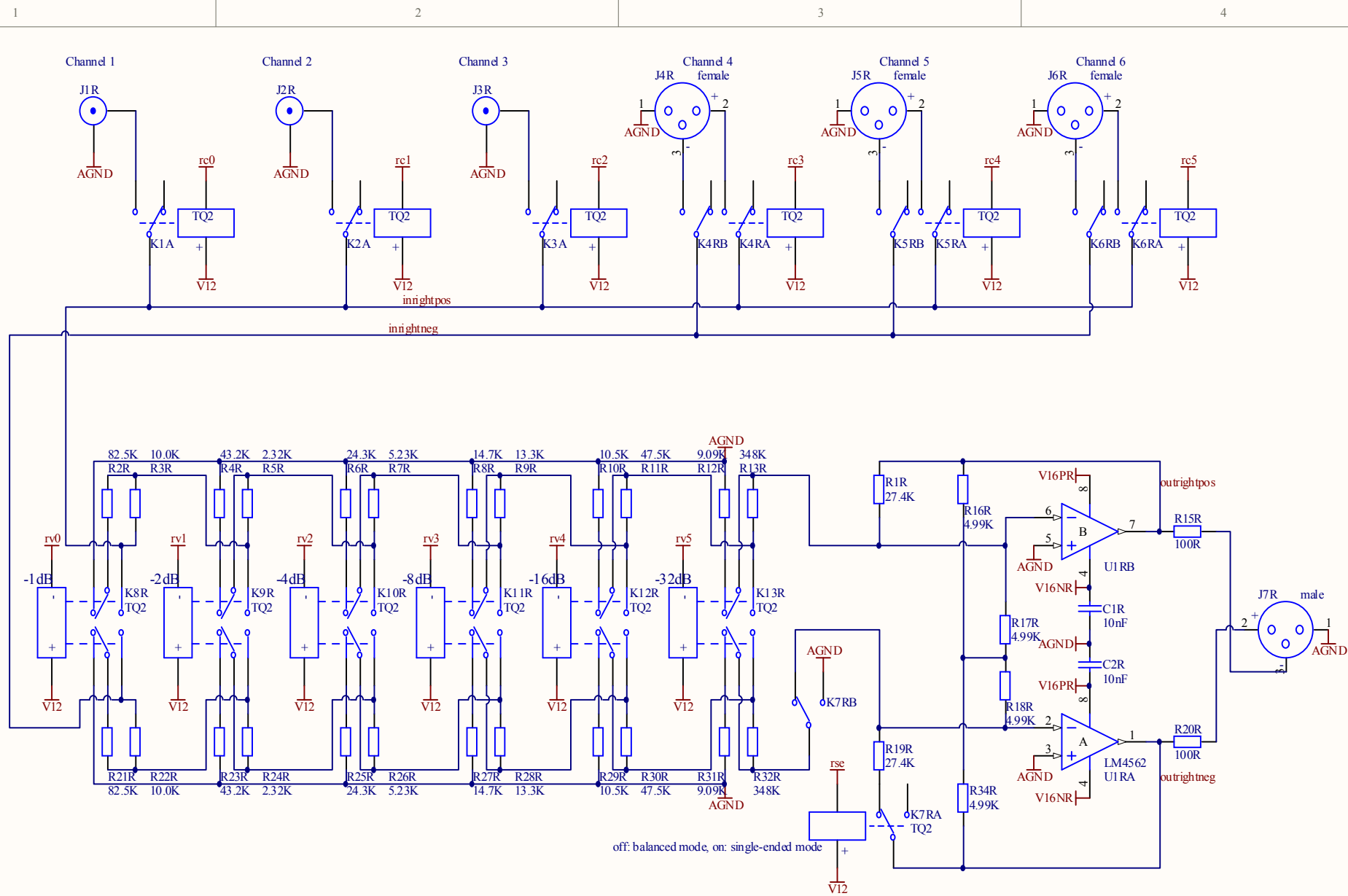
Dual opamps are National Semi LM4562 in DIL-8 footprint □



Relays are NAIS/Matsushita/Panasonic TQ2 in DIL-10 footprint □
 Pin-compatible alternatives are Tyco FP2, and Omron G6H. □
 Audio resistors are 1% low-noise 0.5W-1W metalfilm RN60D from Vishay/Dale

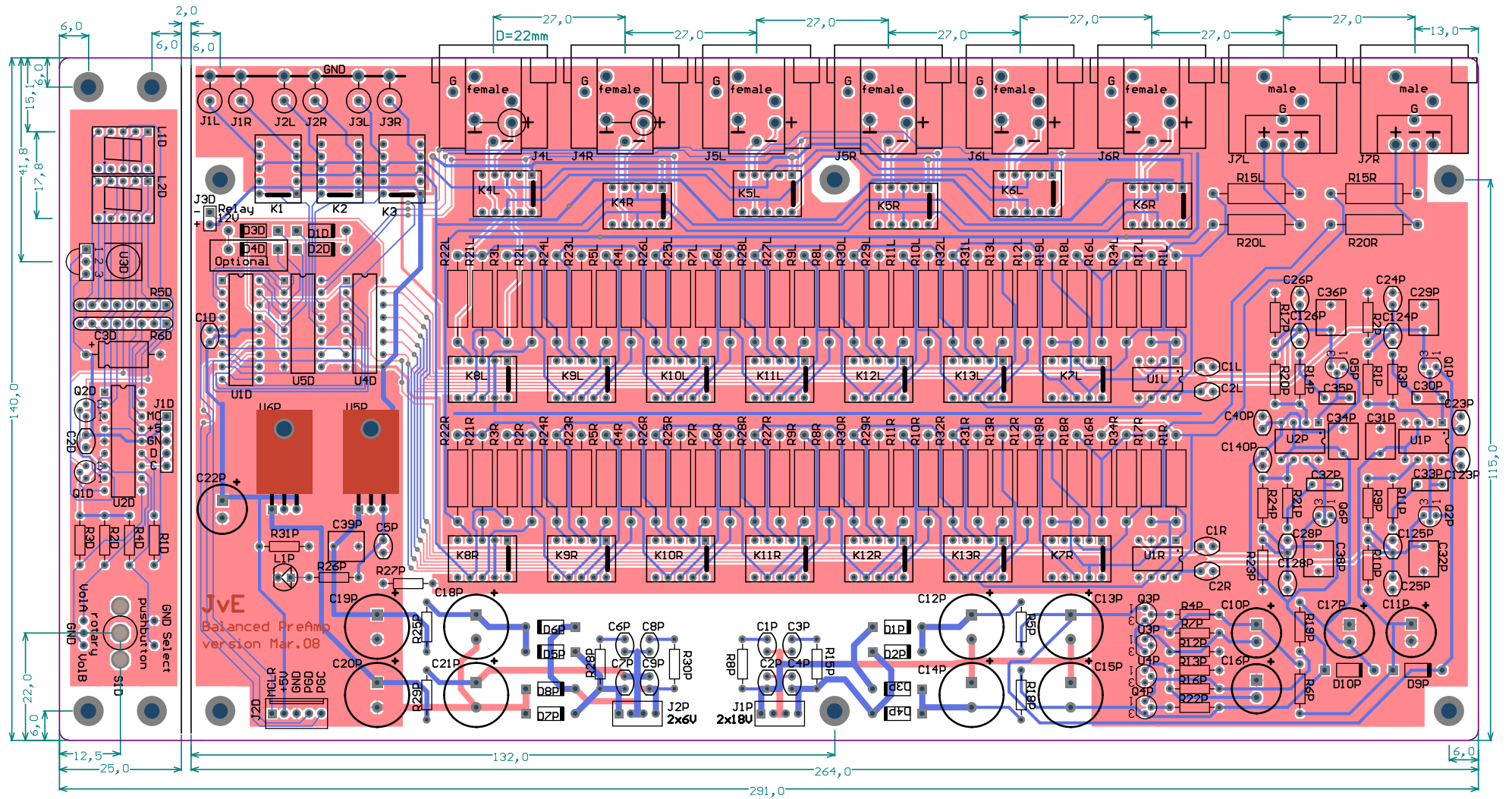
off: balanced mode, on: single-ended mode

Title		
Balanced preamp - Left Audio		
Size	Number	Revision
A4		1.1
Copyright Jos van Eijndhoven		
Date:	4-3-2008	Sheet of
File:	E:\DOCUMENTS\JOS\SheetRelaysLeftSchematicBy: jos@vaneijndhoven.net	



off: balanced mode, on: single-ended mode

Title		
Balanced preamp - Right Audio		
Size	Number	Revision
A4		1.1
Copyright Jos van Eijndhoven		
Date:	4-3-2008	Sheet of
File:	E:\DOCUMENTS\JOS\Sheet Relays Right	SDHD By: jos@vaneijndhoven.net



Dimensions in mm
Print-out scaled to 85%